

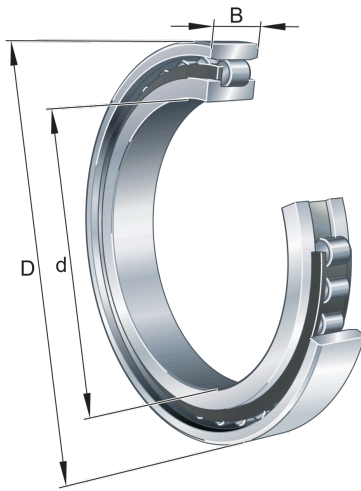
**FAG****N307-E-XL-TVP2**

Cylindrical roller bearing

Schaeffler ID:  
0167339320000

Cylindrical roller bearing N3..-E-TVP2, with cage, single row, non-locating bearing, 0 ribs on outer ring, 2 rib on inner ring, type N3

## Technical information

**Main Dimensions & Performance Data**

d	35 mm	Bore diameter
D	80 mm	Outside diameter
B	21 mm	Width
$C_r$	76,000 N	Basic dynamic load rating, radial
$C_{0r}$	63,000 N	Basic static load rating, radial
$C_{ur}$	10,800 N	Fatigue load limit, radial
$n_{G\text{ Grease}}$	10,700 1/min	Limiting speed for grease lubrication
$n_{G\text{ Oil}}$	12,600 1/min	Limiting speed for oil lubrication
	0.005 kg	Weight

**Dimensions**

$r_{1\text{ min}}$	1.1 mm	Minimum chamfer dimension
$s_1$	0.6 mm	Axial displacement
E	70.2 mm	Raceway diameter outer ring

**Mounting dimensions**

$d_{a\text{ min}}$	42 mm	Minimum diameter shaft shoulder
$D_{a\text{ max}}$	71 mm	Maximum diameter of housing shoulder
$r_{a1\text{ max}}$	1.5 mm	Maximum recess radius

**Temperature range**

$T_{\text{min}}$	-30 °C	Operating temperature min.
$T_{\text{max}}$	120 °C	Operating temperature max.